

User instructions

Transmitted light laboratory microscope

KERN OBE-1

OBE 121, OBE 122, OBE 124
OBE 131, OBE 132, OBE 134

Version 1.0
01/2020





KERN OBE-1

Version 1.0 01/2020

User instructions

Transmitted light microscope

Table of contents

1	Before use	3
1.1	General notes.....	3
1.2	Notes on the electrical system.....	3
1.3	Storage	4
1.4	Maintenance and cleaning.....	5
2	Nomenclature	6
3	Technical data / Features	8
4	Assembly	10
4.1	Microscope head	10
4.2	Objectives	10
4.3	Eyepieces	10
4.4	Condenser	10
5	Operation	11
5.1	Getting started	11
5.2	(Pre-) focussing	12
5.3	Adjusting the interpupillary distance	13
5.4	Dioptre adjustment	13
5.5	Adjusting the magnification	14
5.6	Adjusting the illumination	15
5.7	Using eye cups	16
5.8	Using oil immersion objectives	17
6	Changing the bulb	17
7	Using optional accessories.....	18
7.1	Dark field unit.....	18
7.2	Camera connection	18
8	Trouble shooting.....	19
9	Service	21
10	Disposal.....	21
11	Further information.....	21

1 Before use

1.1 General notes

You must open the packaging carefully, to make sure that none of the accessories in the packaging fall on the floor and get broken.

In general, microscopes should always be handled carefully because they are sensitive precision instruments. When using or transporting the microscope it is particularly important to avoid abrupt movements, as this may damage the optical components.

You should also avoid getting dirt or finger prints on the lens surface, because in most cases this will reduce image clarity.

To maintain the performance of the microscope, it must never be disassembled. So components such as lenses and other optical elements should be left as they were before use. Also the electrical parts on the rear and base of the device must not be tampered with, as in this area there is an additional risk of triggering an electric shock.

1.2 Notes on the electrical system

Before connecting to a mains power supply, you must make sure that you are using the correct input voltage. The information to select the correct mains cable is located on the device, on the rear of the product directly above the connection socket. You must comply with this information. If you do not comply with these specifications, then fires or other damage to the device could occur.

The main switch must also be switched off before the mains cable is connected. In this way you will avoid triggering an electric shock.

If you are using an extension cable, then the mains cable you use must be earthed.

If the original fuse should blow, it must only be replaced by an appropriate fuse. Suitable replacement fuses are included with the delivery.

When carrying out any procedures whereby you come into contact with the electrical system of the device, such as, for example, changing the bulb or fuse, only carry out these procedures when the power is disconnected.

1.3 Storage

You should ensure that the device is not exposed to direct sunlight, temperatures which are too high or too low, vibrations, dust or a high level of humidity.

The ideal temperature range is between 0 and 40°C and a relative humidity of 85% should not be exceeded.

The device should always be located on a rigid, smooth, horizontal surface.

When the microscope is not being used, you should cover it with the enclosed dust protective cover. When doing this, the power supply is stopped by switching off at the main switch and unplugging the mains cable. If the eyepieces are being stored separately, the protective caps must be fitted to the tube connectors. In most cases, if dust and dirt gets inside the optical unit of a microscope this can cause irreversible errors or damage.

The best way to store accessories which consist of optical elements, such as, for example, eyepieces and objectives, is in a dry box with desiccant.

1.4 Maintenance and cleaning

In any event, the device must be kept clean and dusted regularly.

If any moisture should occur, before you wipe down the device you must ensure that the mains power is switched off.

When glass components become dirty, the best way to clean them is to wipe them gently with a lint-free cloth.

To wipe oil stains or finger prints off the lens surface, moisten the lint free cloth with a mixture of ether and alcohol (70 / 30 ratio) and use this to clean the lens.

You must be careful when handling ether and alcohol, as these are highly flammable substances. You must therefore keep it away from naked flames and electrical devices which can be switched on and off, and only use it in well-ventilated rooms.

However organic solutions of this type should not be used to clean other components of the device. This could lead to damage to the paint finish. To do this, it is sufficient to use a neutral cleaning product.

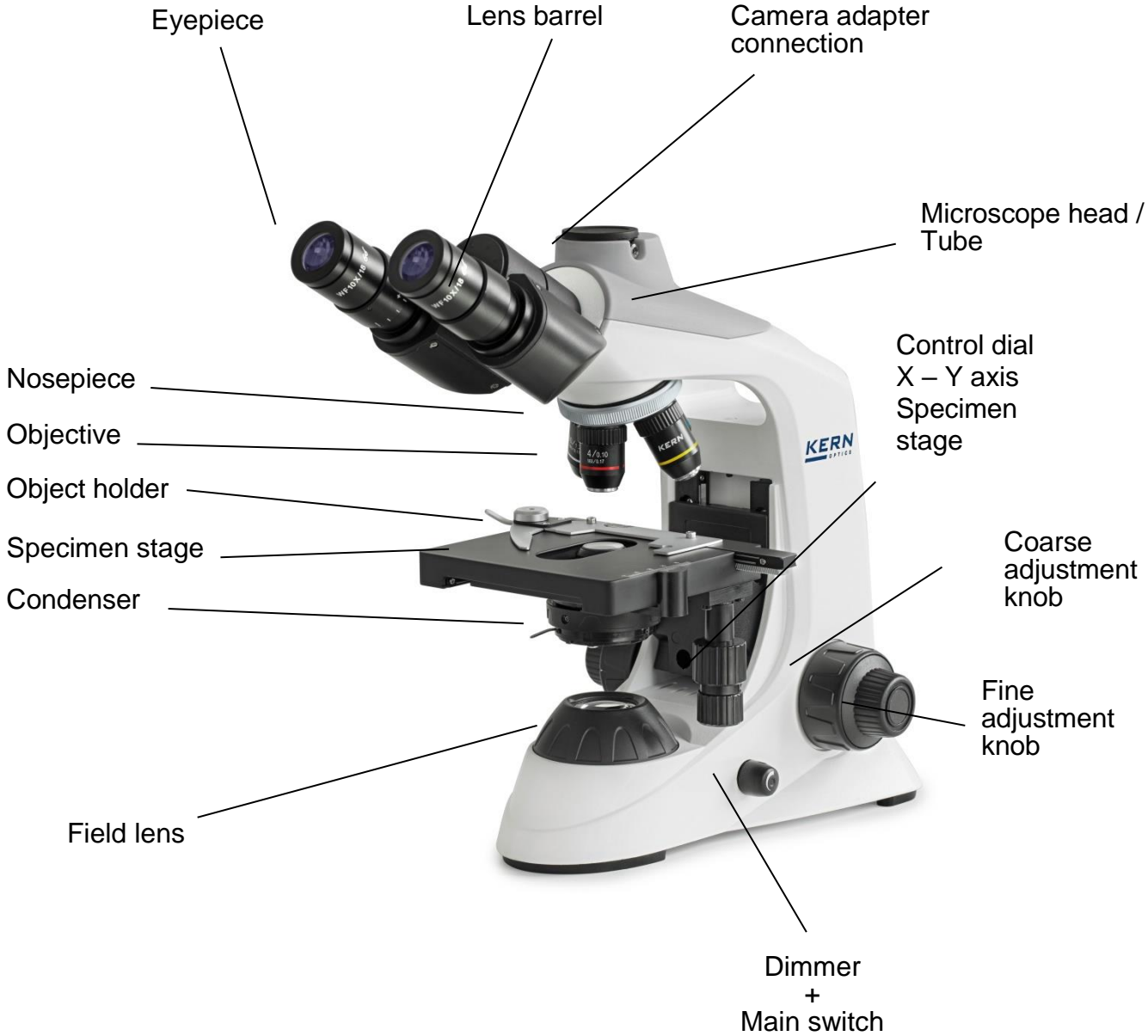
You could also use the following cleaning products to clean the optical components:

- Special cleaner for optical lenses
- Special optical cleaning cloths
- Bellows
- Brush

When handled correctly and checked regularly, the microscope should give many years of efficient service.

Should repairs still be necessary, please contact your KERN dealer or our Technical Department.

2 Nomenclature





Power connection

3 Technical data / Features

Model	Standard configuration				
	Optical system	Tube	Eye pieces	Objectives	Illumination
OBE 121	Finite	Monocular	WF 10x / Ø 18 mm	Achromatic 4x/10x/40x	3W LED (Transmitted)
OBE 122	Finite	Binocular	WF 10x / Ø 18 mm	Achromatic 4x/10x/40x	3W LED (Transmitted)
OBE 124	Finite	Trinocular	WF 10x / Ø 18 mm	Achromatic 4x/10x/40x	3W LED (Transmitted)
OBE 131	Finite	Monocular	WF 10x / Ø 18 mm	Achromatic 4x/10x/40x/100x	3W LED (Transmitted)
OBE 132	Finite	Binocular	WF 10x / Ø 18 mm	Achromatic 4x/10x/40x/100x	3W LED (Transmitted)
OBE 134	Finite	Trinocular	WF 10x / Ø 18 mm	Achromatic 4x/10x/40x/100x	3W LED (Transmitted)

Product dimensions: 360x150x320 mm

Packaging dimensions: 425x340x245 mm

Net weight: 4,6 kg

Gross weight: 6 kg

Input current: AC 100-240V, 50-60Hz, 0,3A

Output current: DC 5V, 1,0A

Model outfit		Model KERN						Order number	
		OBE 121	OBE 122	OBE 124	OBE 131	OBE 132	OBE 134		
Eyepieces (23,2 mm)	HWF 10×/∅ 18 mm	✓	✓✓	✓✓	✓	✓✓	✓✓	OBB-A1403	
	WF 16×/∅ 13 mm	○	○○	○○	○	○○	○○	OBB-A1354	
	HWF 10×/∅ 18 mm (with pointer)	○	○	○	○	○	○	OBB-A1348	
	HWF 10×/∅ 18 mm (reticule 0,1 mm) (non-adjustable)	○	○	○	○	○	○	OBB-A1349	
Achromatic objectives	4×/0,10 W.D. 18,6 mm	✓	✓	✓	✓	✓	✓	OBB-A1111	
	10×/0,25 W.D. 6,5 mm	✓	✓	✓	✓	✓	✓	OBB-A1108	
	40×/0,65 (spring-loaded) W.D. 0,47 mm	✓	✓	✓	✓	✓	✓	OBB-A1112	
	100×/1,25 (oil) (spring-loaded) W.D. 0,07 mm	○	○	○	✓	✓	✓	OBB-A1109	
	20×/0,40 (spring-loaded) W.D. 1,75 mm	○	○	○	○	○	○	OBB-A1110	
	60×/0,85 (spring-loaded) W.D. 0,1 mm	○	○	○	○	○	○	OBB-A1113	
	E-Plan 100×/0,80 (dry) (spring-loaded) W.D. 0,15 mm	○	○	○	○	○	○	OBB-A1442	
	Plan 100×/1,0 (water) (spring-loaded) W.D. 0,18 mm	○	○	○	○	○	○	OBB-A1441	
Monocular tube	30° inclined	✓			✓				
Binocular tube	<ul style="list-style-type: none"> • Butterfly 30° inclined • Interpupillary distance 48 – 75 mm • Diopter adjustment: One-sided 		✓			✓			
Trinocular tube	<ul style="list-style-type: none"> • see binocular tube • Light distribution 20:80 			✓			✓		
Mechanical stage	<ul style="list-style-type: none"> • Stage size W×D 125×115 mm • Travel 50×70 mm • Coaxial coarse and fine focusing knobs, scale: 2 µm 	✓	✓	✓	✓	✓	✓		
Condenser	Abbe N.A. 1,25 (aperture diaphragm)	✓	✓	✓	✓	✓	✓	OBB-A1101	
Darkfield unit	Usable for 4× – 40× objectives	○	○	○	○	○	○	OBB-A1148	
Illumination	3 W LED illumination system (transmitted)	✓	✓	✓	✓	✓	✓		
Colour filters for transmitted illumination	Blue	○	○	○	○	○	○	OBB-A1466	
	Green	○	○	○	○	○	○	OBB-A1467	
	Yellow	○	○	○	○	○	○	OBB-A1468	
	Grey	○	○	○	○	○	○	OBB-A1184	
C-Mount	0,5× (focus adjustable)			○			○	OBB-A1137	
	1×			○			○	OBB-A1139	

✓ = Included with delivery

○ = Option

4 Assembly

4.1 Microscope head

The microscope head is firmly attached at the microscope body and cannot be removed.

However thanks to the butterfly design the tube is rotatable by 360°, which enables a flexible adjustment of the eyepieces

4.2 Objectives

Depending on the model all three or four objectives are already mounted to the nosepiece. After removing the protective foil they are ready for use. They are ranged in such a way that if you turn the nosepiece clockwise, the objective with the next higher magnification appears. When the objectives need to be dismantled, you should always make sure that you do not touch the lenses with your bare fingers and that no dust enters the apertures.

For objectives which are marked "OIL", you must use an immersion oil with the lowest level of inherent fluorescence.

4.3 Eyepieces

You must always use eyepieces with the same magnification for both eyes. These are already placed onto the tube connectors and each is fixed with a small silver screw under the eyepiece on the tube connectors, so that they are turnable but you cannot pull them out of the tube. When changing the eyepieces, you must loosen these screws and once the new eyepiece is fitted, then they must be re-tightened. You should always make sure that you do not touch the lenses with your bare fingers and that no dust enters the apertures.

4.4 Condenser

The condenser is firmly fixed onto a holding ring (condenser holder) underneath the microscope stage. The lever for the aperture diaphragm is directed towards the front. There is the ability to adjust the height of the condenser, but not to centre it.

The height adjustment of the condenser is done by turning the condenser on its vertical axis.

You should avoid touching the optical lenses with bare fingers.

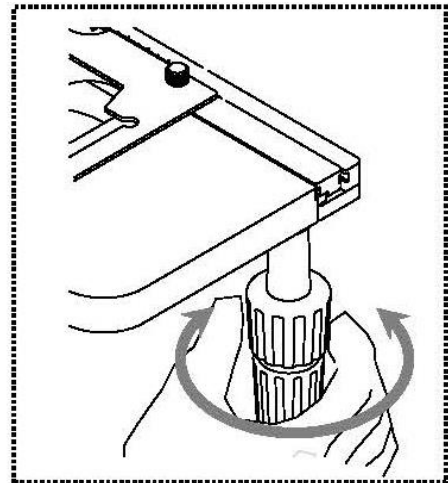
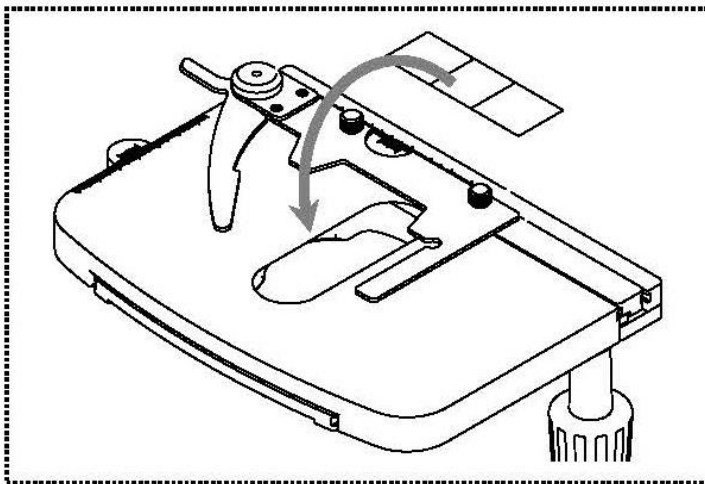
5 Operation

5.1 Getting started

The very first step is to establish a power connection using the mains plug. After switching on the lighting you should first adjust the **dimmer** to a **low level**, so that when you look through the eyepiece for the first time, your eyes are not immediately subject to a high level of light.

The next step is to **place an object holder** with the sample on the angle table. To do this, the cover glass must be facing upwards. You can fix the object holder to the table using the slide holder (see *illustration on the left*). To move the sample into the beam path, you must use the adjustment wheels on the right of the angle table (see *illustration on the right*).

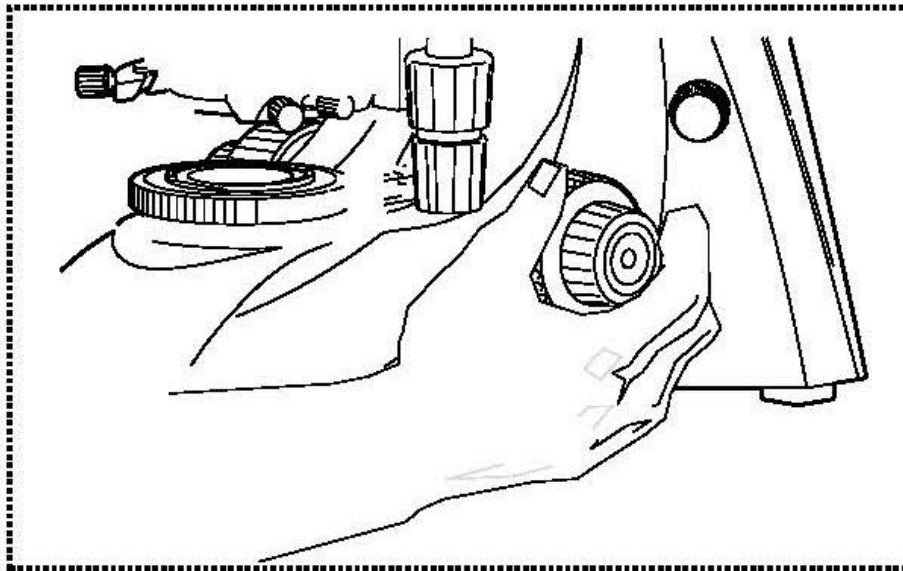
You can position only one object holder.



5.2 (Pre-) focussing

When you are observing an object, you must have the correct distance to the objective to achieve a sharp image.

In order to find this distance at the beginning (without other default settings of the microscope) place the objective with the lowest magnification in the beam path, look through the right eyepiece with the right eye and turn it slowly using the coarse adjustment knob (see illustration).



The simplest way of doing this would be to first raise the specimen stage (using the coarse adjustment knob) until it is just under the objective and then lower it slowly. As soon as an image is recognisable (no matter how sharp), then you should only adjust the focus using the fine adjustment knob.

Adjusting the torque of the coarse and fine adjustment knob

Next to the left adjustment wheel for the coarse and fine adjustment knob there is a ring which you can use to alter the torque of these wheels. Turning it in a clockwise direction reduces the torque and turning it in an anti-clockwise direction increases it. On one hand, this function can help to make it easier to adjust the focus and on the other hand it can prevent the specimen stage from slipping down unintentionally.

Important:

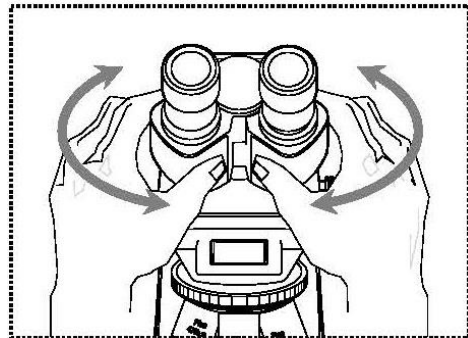
In order to avoid damaging to the focussing system, the left and right adjustment wheels for the coarse and fine adjustment knob must never be rotated at the same time in opposite directions.

5.3 Adjusting the interpupillary distance (For binocular and trinocular devices)

With binocular viewing, the interpupillary distance must be adjusted accurately for each user, in order to achieve a clear image of the object.

While you are looking through the eyepieces, use your hands to hold the righthand and lefthand tube housing firmly. By pulling them apart or pushing them together, you can either increase or reduce the interpupillary distance (*see illustration*).

As soon as the field of views of the lefthand and righthand eyepieces completely overlap each other, i.e. they combine to form a circular image, then the interpupillary distance is set correctly.

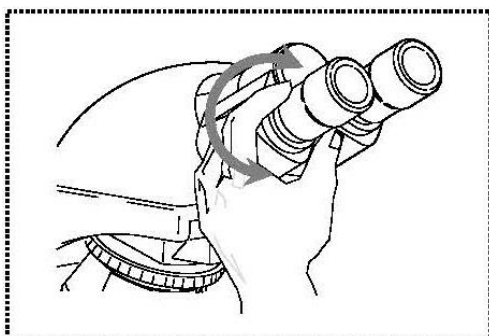


5.4 Dioptre adjustment (For binocular and trinocular devices)

The eye strengths of each eye of the microscope user can often be slightly different, which in daily life has no consequences. But when using a microscope this can cause problems in achieving precise focussing.

You can use a mechanism on the left tube connector (dioptre adjustment ring) to compensate for this as follows.

1. Look through the right eyepiece with the right eye and bring the object into focus by using the coarse and fine adjustment knob.
2. Then look through the left eyepiece with the left eye and use the dioptre adjustment ring to focus the image.
To do this, you just need to turn the ring in both directions (*see illustration*), to find out where the image is at its most focussed.

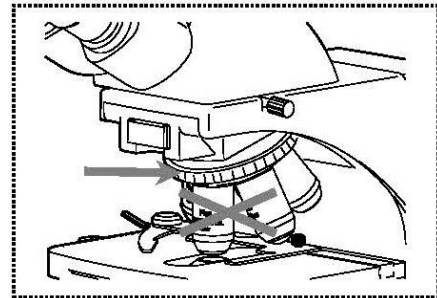


5.5 Adjusting the magnification

After prefocussing has been carried out using the objective with the lowest magnification (see section 5.2), you can then adjust the overall magnification using the nosepiece, as necessary. By turning the nosepiece you can bring any one of the four other objectives into the beam path.

When adjusting the nosepiece, you must take the following points into account:

- The required objective must be properly locked in place at all times.
- The nosepiece should not be rotated by holding individual objectives, you should use the silver ring above the objectives (see illustration).



- When rotating the nosepiece you must always make sure that the objective which is about to be positioned in the beam path does not touch the object holder. This can lead to significant damage to the objective lens. We recommend that you always check from the side to make sure that there is sufficient leeway. If this should not be the case, the specimen stage must be lowered accordingly.

If you have focussed the object to be observed for a specific magnification, then if you select the objective with the next greatest magnification, then the object will be slightly out of focus. Use the fine adjustment knob to make a slight adjustment and restore the focus.

5.6 Adjusting the illumination

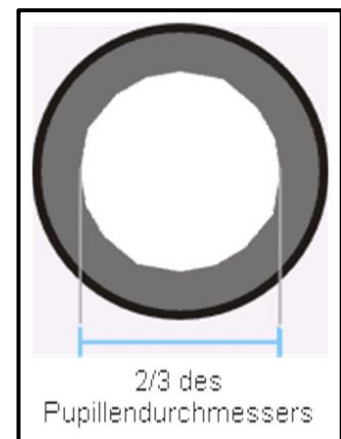
To make sure that perfect image results are achieved during microscopic observation, it is important that the direction of light of the microscope is optimised.

The necessary control elements for this are the height-adjustable condenser with aperture diaphragm.

When adjusting the lighting for the first time, you must first select the lowest possible objective magnification, so that you can carry out the following steps.

1. Adjust the height of the condenser by turning the condenser to get a good contrast of the microscopic image. Normally therefore you have to bring the condenser to just below the maximum height.

2. Use the aperture diaphragm of the condenser to find the very best compromise between contrast and resolution for the microscopic image. For the objective with the lowest magnification the lever of the aperture diaphragm should be placed almost completely on the right-side limit, so that the opening of the diaphragm is very small. The higher the magnification of an objective, the larger the opening should be selected by pushing the lever towards the left-side limit.



The view in the tube without the eyepiece should look something like the illustration on the right.

The diameter of the aperture diaphragm which is then visible should make up approximately 2/3 of the pupil diameter.

If the eyepiece should be removed, for checking, then please make sure that no dirt or dust falls into the tube.

3. The brightness is always controlled by the bulb brightness (using the dimmer) and not by the aperture diaphragm.

5.7 Using eye cups

The eye cups supplied with the microscope can basically be used at all times, as they screen out intrusive light, which is reflected from light sources from the environment onto the eyepiece, and the result is better image quality.

But primarily, if eyepieces with a high eye point (particularly suitable for those who wear glasses) are used, then it may also be useful for users who don't wear glasses, to fit the eye cups to the eyepieces.

These special eyepieces are also called High Eye Point eyepieces. They can be identified by the glasses symbol on the side. They are also marked in the item description by an additional "H" (example: HSWF 10x Ø 23 mm).

When fitting the eye cups, make sure that the dioptre setting is not moved. We would therefore advise that you hold the dioptre compensation ring on an eyepiece with one hand while you fit the eye cup with the other.

Before using the microscope, users who wear glasses must remove the eye cups, which you may find on High Eye Point eyepieces.

As the eye cups are made of rubber, you must be aware that when you are using them, they can become slightly dirty through grease residues. In order to maintain hygiene, we would therefore recommend that you clean the eye cups regularly (e.g. with a damp cloth).



Eye cups



High Eye Point eyepiece
(identified by the glasses symbol)

5.8 Using oil immersion objectives

The 100x objectives of the OBE-13 series are objectives which can be used with oil immersion (they are always marked with the word "OIL"). Using these generates a particularly high resolution for microscopic images.

To use oil immersion correctly, please follow these steps.

1. Put a drop of oil on the cover glass (with standard thickness of 0.17 mm) of the object slide.
2. Lower the specimen stage and position the 100x objective in the beam path.
3. Bring the specimen stage or object slide to the objective very slowly until there is slight contact.
4. Observe the object.

The object slide and objective must not be pressed against each other. The oil constitutes the contact layer.

If the contact is made too jerky, there is a chance that existing air bubbles in the oil cannot escape. This would have a negative impact on image clarity.

After use or before changing the slide, any components which have been in contact with the oil must be cleaned thoroughly. *See also 1.4 Maintenance and cleaning.*

6 Changing the bulb

The devices in the OBE-12 and OBE-13 ranges with lighting are all fitted with LED bulbs.

Due to the long service life of an LED lighting system, for these microscopes it will not be necessary to simply change a bulb.

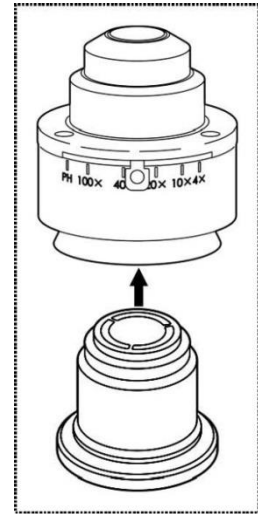
Problems with the lighting unit would therefore, in most cases, be caused by defects in the electrical system. If this is the case, then our Technical Service will be able to help.

7 Using optional accessories

7.1 Dark field unit

There is the following way to carry out dark field applications.

1. A dark field attachment with an integrated black disk can be screwed into the standard condenser of the microscope from below (see right illustration). **Please take note of the instruction delivered with the dark field attachment.**



7.2 Camera connection OBE 124, OBE 134

Due to the trinocular tube, which is a standard fitting for the models OBE 124 and OBE 134, it is possible to connect microscope cameras to the device, in order to digitally record images or sequences of images of an object being observed.

After the plastic cover has been removed from the camera adapter connector on the top of the microscope head, then a suitable adapter must be fitted.

In general there are two C-mount adapters available for this (1x and 0.5x magnification, see *Chapter 3 Features*). After fitting one of these adapters it can be fixed with the fixing screw. A camera which has a C-mount thread is then screwed on top of the adapter.

We recommend that you first adjust the field of view using the eyepieces on the device for the existing requirements, and then carry out the observation using the microscope camera (i.e. using the PC screen which is connected).

The tube has a light distribution that guarantees the providing of light for the eyepieces and the camera connection at the same time. This means that it is possible to simultaneously observe by the eyepieces and PC screen.

For C-mount adapters, which have their own integrated magnification, the image which is shown on the camera connected to the device can often have a different level of focus compared with the image on the eyepiece.

In order to be able to bring both images into focus, the focus can be adjusted by those adapters.

8 Trouble shooting

Problem	Possible causes
The bulb does not light	The mains plug is not correctly plugged in
	There is no power at the socket
	Defective bulb
The field of view is dark	The aperture diaphragm and/or field diaphragm are not opened wide enough
	The condenser is not correctly centred
You cannot adjust the brightness	The brightness control has been set incorrectly
	The condenser has not been correctly centred
	The condenser is too low
The field of view is dark or is not correctly illuminated	The objective is not positioned correctly on the beam path
	The nosepiece is not correctly fitted
	The condenser is not correctly fitted
	An objective is being used which doesn't match the lighting area of the condenser
	The condenser has not been correctly centred
	The bulb is not correctly fitted
The field of view of one eye does not match that of the other eye	The interpupillary distance is not correctly adjusted
	Dioptre setting has not been carried out correctly
	Different eyepieces are used for the righthand and lefthand side
	The eyes are not used to using a microscope

Problem	Possible causes
Blurred details Bad image Bad contrast Vignetted field of view	The aperture diaphragm is not opened wide enough
	The condenser is too low
	The objective does not belong to this microscope
	The front lens of the objective is dirty
	An immersion object has been used without immersion oil
	The immersion oil contains air bubbles
	The condenser is not correctly centred
	The recommended immersion oil has not been used
Dirt or dust in the field of view	Dirt / dust on the objective
	Dirt /dust on the front lens of the condenser
	Dirt / dust on the eyepieces
One side of the image is blurred	Dirt / dust on the front lens of the condenser
	Dirt / dust on the object
	The stage was not correctly fitted
	The objective is not positioned correctly on the beam path
The image flickers	The nosepiece is not correctly fitted
	The objective is not positioned correctly on the beam path
	The condenser has not been correctly centred
The coarse adjustment knob is difficult to turn	The rotational resistance brake is too tight
	The stage is blocked by a solid body
The stage moves down on its own The fine adjustment knob moves on its own	The rotational resistance brake is not tight enough
When you move the table, the image becomes blurred	The stage was not correctly fitted

9 Service

If, after studying the user manual, you still have questions about commissioning or using the microscope, or if unforeseen problems should arise, please get in touch with your dealer. The device may only be opened by trained service engineers who have been authorised by KERN.

10 Disposal

The packaging is made of environmentally-friendly materials, which you can dispose of at your local recycling centre. Disposal of the storage box and device must be carried out by the operator in accordance with all national or regional laws in force in the location of use.

11 Further information

The illustrations may differ slightly from the product.

The descriptions and illustrations in this user manual are subject to change without notice. Further developments on the device may lead to these changes.



All language versions contain a non-binding translation.
The original German document is the binding version.

